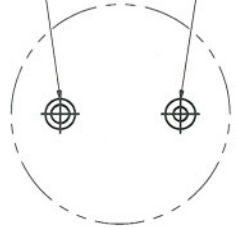
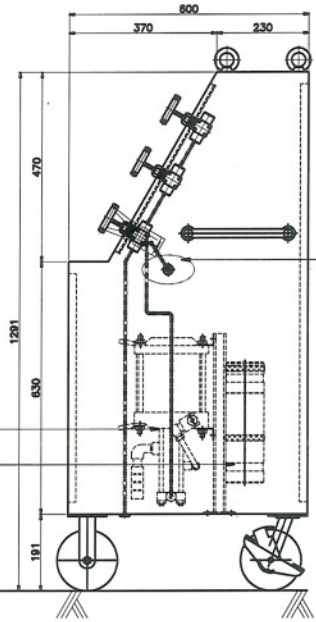
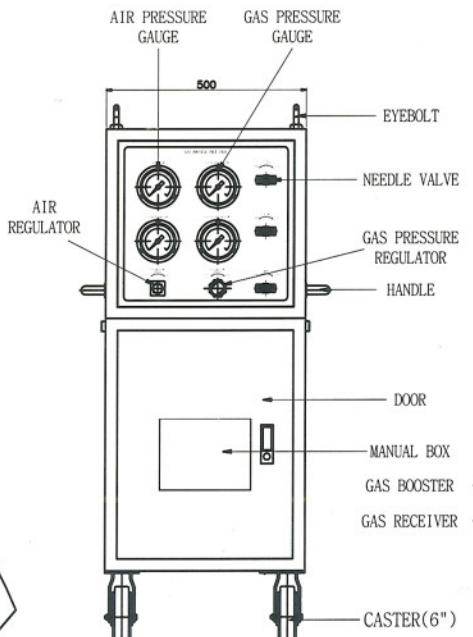
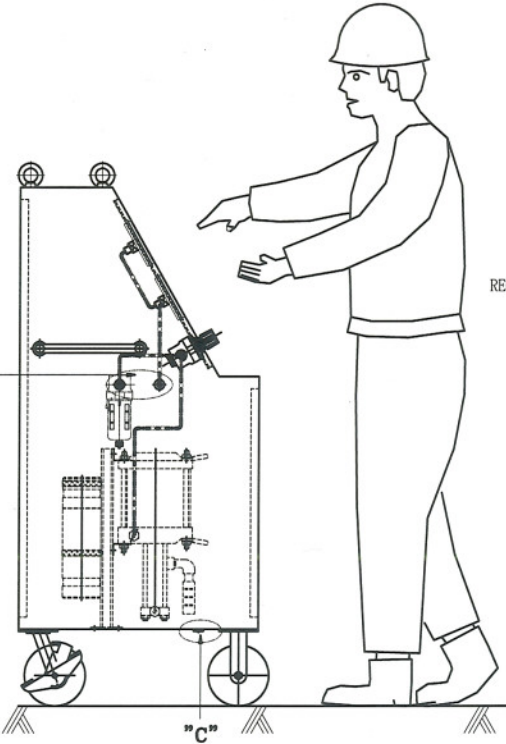


NO.	DESCRIPTION	SPECIFICATION	MATERIAL	Q'TY	REMARKS
1	GAS BOOSTER	-	-	-	WASHER
2	GAS RECEIVER	-	SUS	-	HYDMAG
3	GAS PRESSURE REGULATOR	-	SUS	-	YESSOM
4	AIR REGULATOR	-	-	-	PAWEE
5	AIR PRESSURE GAUGE	-	-	-	YESS
6	GAS PRESSURE GAUGE	-	SUS	-	BOURDON
7	NEEDLE VALVE	-	SUS	-	UY-LOK
8	-	-	-	-	-

AIR SUPPLY PORT(3/8PT)
GAS IN-LET PORT(1/4PT)



DETAIL "A"
(S=3/1)

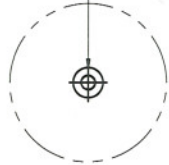


GAS OUT-LET PORT(1/4PT)



DETAIL "B"
(S=3/1)

GAS VENT PORT(1/4PT)



DETAIL "C"
(S=3/1)

CUSTOMER	-		
PROJECT	GAS BOOSTER UNIT PACK		
Hydmag		KOREA HYDMAG CORP.	
APP'D	000610 K.H.H.	TITLE	GAS BOOSTER UNIT PACK FRAME (ST-TYPE)
CHK'D	000610 K.H.H.	LAY - OUT	
DES'D	000610 K.H.T.	SCALE	--
DWN	000610 K.H.T.	DWG NO	KOR-HD03-01.....

ITEM No. _____